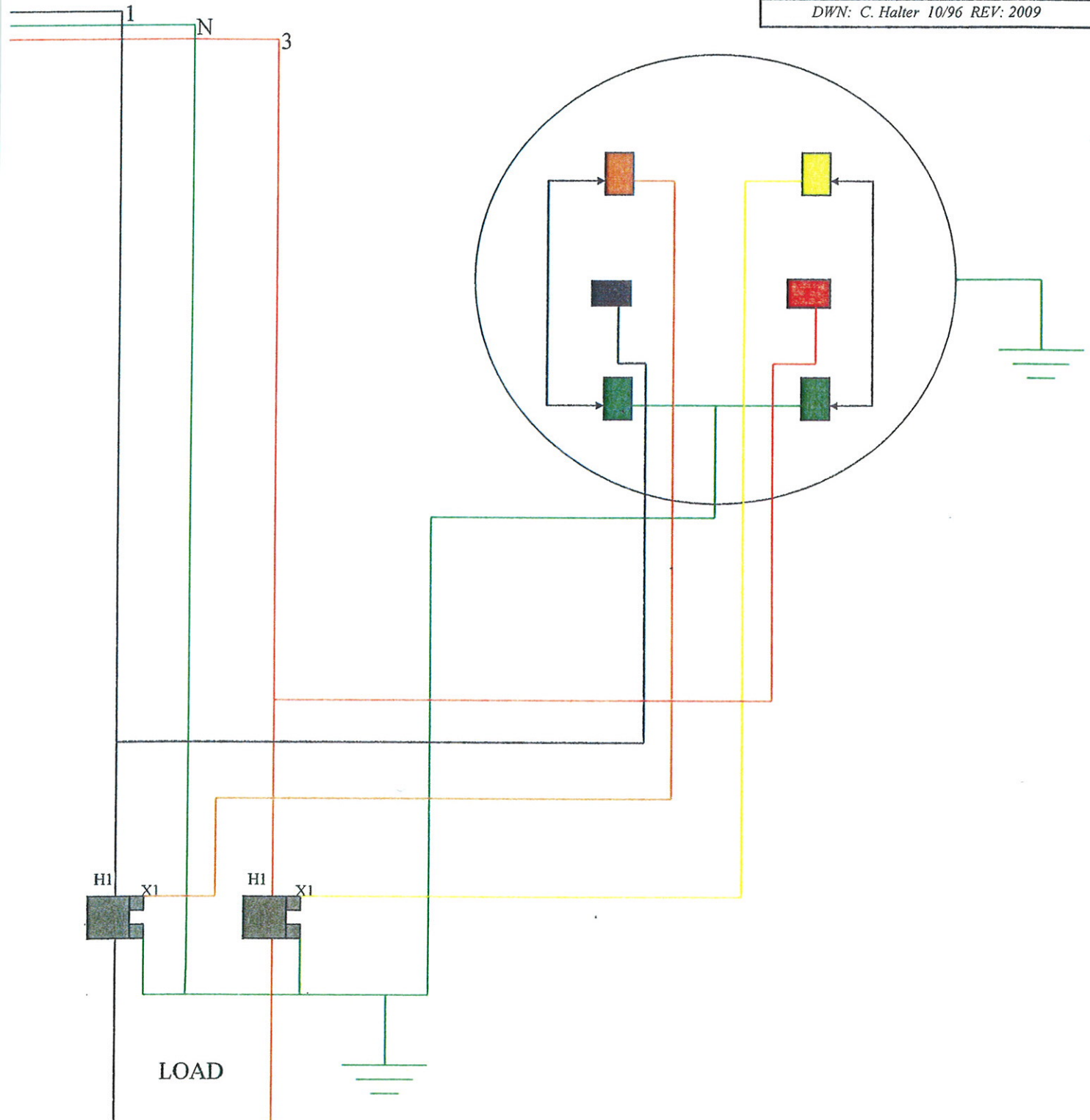




FORM 4S

* Use the CT ratio in determining the meter multiplier.

DWN: C. Halter 10/96 REV: 2009



ALL NEUTRALS MUST RETURN TO A COMMON, SINGLE SOURCE GROUND