

Wye

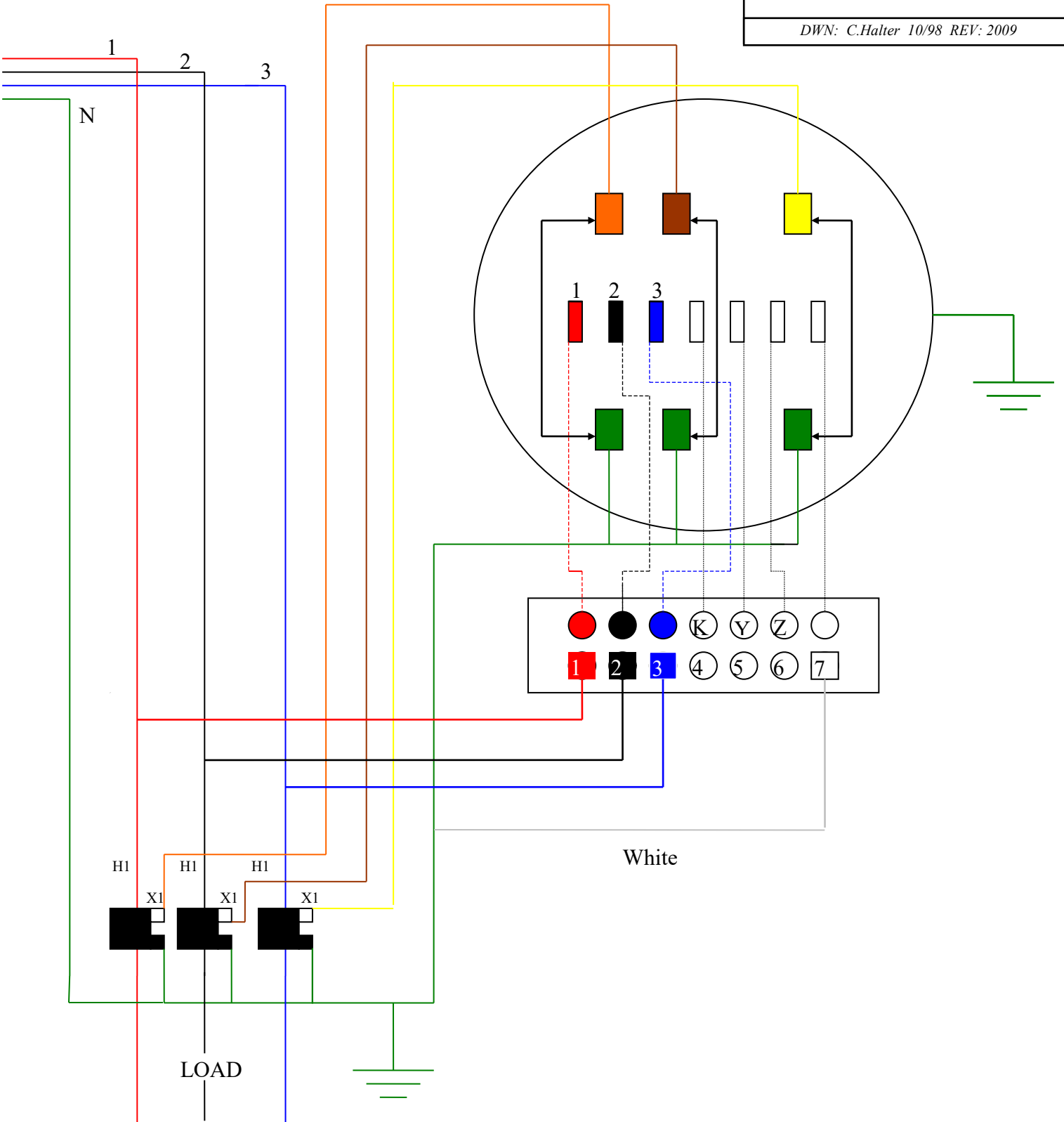
Y



FORM 9S

* Use the CT ratio in determining the meter multiplier.

DWN: C.Halter 10/98 REV: 2009



ALL NEUTRALS MUST RETURN TO A COMMON, SINGLE SOURCE GROUND